



**PL-1647**  
*Sandbar Series*  
Porcelain Sink

**Features**

- Rectangular Basin
- Overflow Drain
- Nonporous - Hygienic

**Material**

- Vitreous China



**Installation**

- Undermount

**Available Color/Finishes**  
Intended for reference only

**Codes/Standards**

- ADA Compliant

Color	Description
<input type="checkbox"/>	White

---

6140 Ulmerton Road Clearwater, FL 33760

Phone: (727) 388-9895

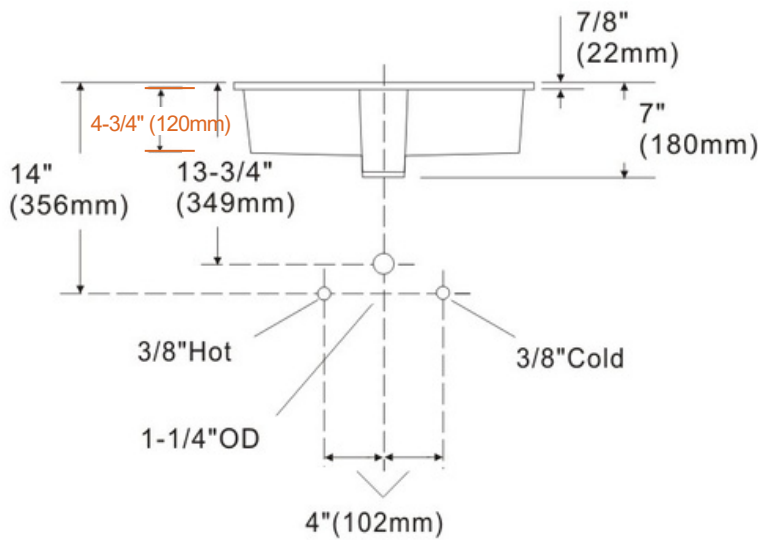
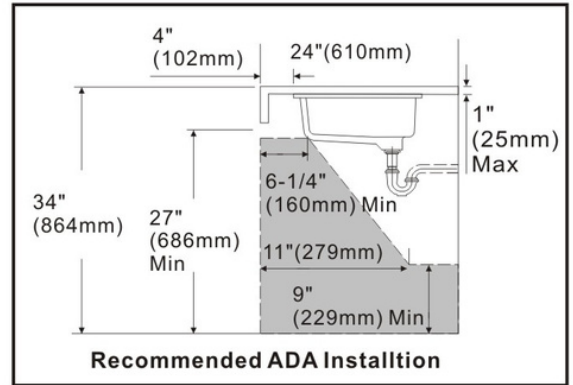
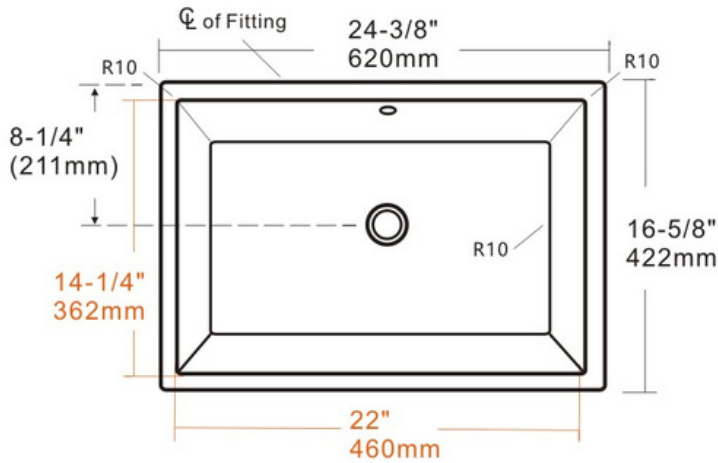
Fax: (727) 362-1281

*For the most current Specification Sheet, go to [www.pelicansinks.com](http://www.pelicansinks.com)*





**PL-1647**  
*Sandbar Series*  
 Porcelain Sink



**Technical Information**

All product dimensions are nominal

Interior Measurements: 22" x 14 1/4" x 4 3/4"

Exterior Measurements: 24 3/8" x 16 5/8" x 7"

Bowl Configuration: Single

Finish: Vitreous China

**Installation Information**

Install this product according to the installation instructions.

**Limited Lifetime Warranty**

See website for detailed warranty information.

6140 Ulmerton Road Clearwater, FL 33760

Phone: (727) 388-9895

Fax: (727) 362-1281

For the most current Specification Sheet, go to [www.pelicansinks.com](http://www.pelicansinks.com)

